



# PowerFlo® II

## SMALL PUMP FOR OUTSTANDING RESULTS!

- Pump designed for small pools and/or above ground pools
- **Exceptional performance**, one of the best in its category
- 1.1 Litre **pre-filter** basket
- Recommended for pools **up to 100 m<sup>3</sup>\***

\* Calculation based on 6 hours turnover



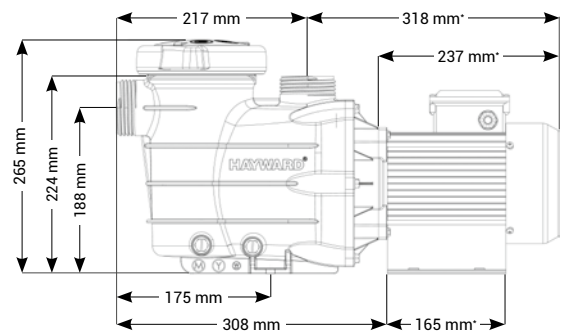
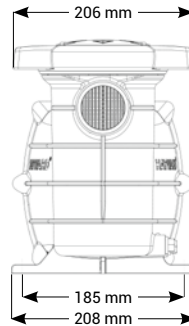
Easy access to the pre-filter through the quarter turn cover



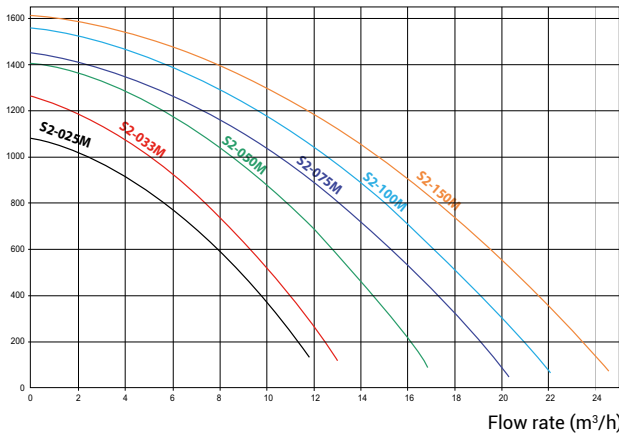
Drainage caps to make wintering easier



50 mm outlet or  $\varnothing$  32/38 mm fluted adapters



Pressure (mbar)



### Technical Specifications

Max. water temp.	35°C
Adapter	32/38 mm
Mechanical seal	AISI 304, suitable for salt water
Motor specifications	Class F, IP55, 50Hz, 2 Poles
Housing/impeller/strainer/lid	PP+GF/Noryl® + GF/ABS/PC

POWERFLO® II

Type	Length	Weight	I/O	Flow rate*	Input Power P1	Output Power P2	Amperage	Item.
0.25 HP	504 mm	7.68 kg	50 and 32/38 mm	5.4 m³/h	440 W	300 W	1.92 A	SP8102XE31
0.33 HP	504 mm	7.76 kg	50 and 32/38 mm	7.3 m³/h	530 W	320 W	2.32 A	SP8103XE61
0.5 HP	504 mm	8.65 kg	50 and 32/38 mm	10.8 m³/h	810 W	560 W	3.51 A	SP8105XE81
3/4 HP	504 mm	9.16 kg	50 and 32/38 mm	13 m³/h	860 W	610 W	3.76 A	SP8107XE111
1 HP	504 mm	9.16 kg	50 and 32/38 mm	15 m³/h	1000 W	730 W	4.36 A	SP8110XE161
1.5 HP	535 mm	11.3 kg	50 and 32/38 mm	17.2 m³/h	1200 W	900 W	5.32 A	SP8115XE221

\* under 8 m water column pressure